

➔ Gate Valves

FORGED STEEL GATE VALVES ARE AVAILABLE IN VARIOUS RANGES



GATE VALVES

Socket weld ends to ANSI-B:16, 11, SCH, 40/80/160

Dim 'B' as per manufacturers STD

Butt weld ends to ANSI- B:16.25, SCH,40/80/160

All dimensions are in mm

TEST PRESSURE BAR		
HYDRO STATIC	Shell	207
	Seat	152
	Back seat	152
Air	Seat	6.9

Class		800						
Size		6	10	15	20	25	40	50
ØA		6.4	6.4	9.5	12.7	17.5	30.0	36.0
B		88	88	88	92	106	128	140
ØC		110	110	110	110	110	170	170
D		9.7	9.7	9.7	12.7	12.7	12.7	15.8
ØE		14.1	17.5	21.7	27.1	33.8	48.7	61.1
F		10.2	10.4	13.5	14.5	17.3	19.1	23.4
ØG		14.1	17.5	23.0	28.0	35.0	50.0	62.0
H Approx	open	162	162	162	175	193	270	275
	close	154	154	152	162	169	234	236
Øs	SCH-40	9.3	12.5	15.8	20.9	26.7	40.9	52.5
	SCH-80	7.7	10.8	13.9	18.9	24.3	38.1	49.3
	SCH-160	-	-	11.8	15.6	20.7	34.0	42.9
Wt- kgs Approx		2.4	2.4	2.4	2.7	3.7	8.2	12.2



Gate Valve

FORGED STEEL GATE VALVES ARE AVAILABLE IN VARIOUS RANGES



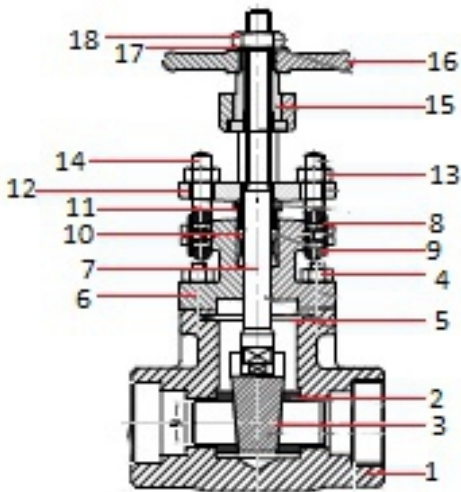
GATE VALVES

Socket weld ends to ANSI-B:16, 11, SCH, 40/80/160

Dim 'B' as per manufacturers STD

Butt weld ends to ANSI- B:16.25, SCH,40/80/160

All dimensions are in mm



Part no	Part Name	Material
1	Body	ASTM A-105,A-182,F-304/F-316
2	Seat ring	A-276,410/304/316
3	Plug	A-217 CA-15,A-351 CF-8/CF-8M
4	Stud nut	A-193 Gr:B7/A-194.Gr.2H
5	Gasket	Spiral wound SS:3.4 Asb, filled
6	Bonnet	ASTM A-105,A-182,F-304/F-316
7	Stem	A-276,410/304/316
8	Screw	Steel Galvanised
9	Washer	Steel Galvanised
10	Packing	Graphited Asb wire reinforced
11	Gland	A-276, 410/304/316
12	Gland flange	ASTM A-105, A-182,F304/F316
13	Eye bolt nut	Steel IS:1367,ci.8/A-194,Gr.2H/8
14	Eye bolt/stud	Steel IS:1367,ci.8.8/A-193,Gr.B7/B8
15	Yoke-sleeve	Ni-Resist ASTM A-439,Gr.02
16	Hand wheel	Malleable iron IS: 2108 Gr.B
17	Name plate	Stainless steel
18	Hand wheel nut	Steel